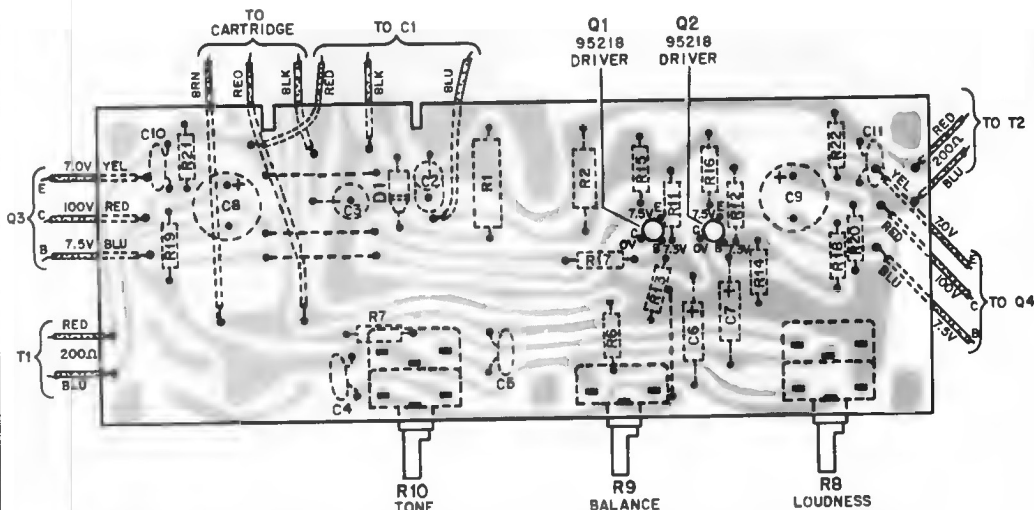
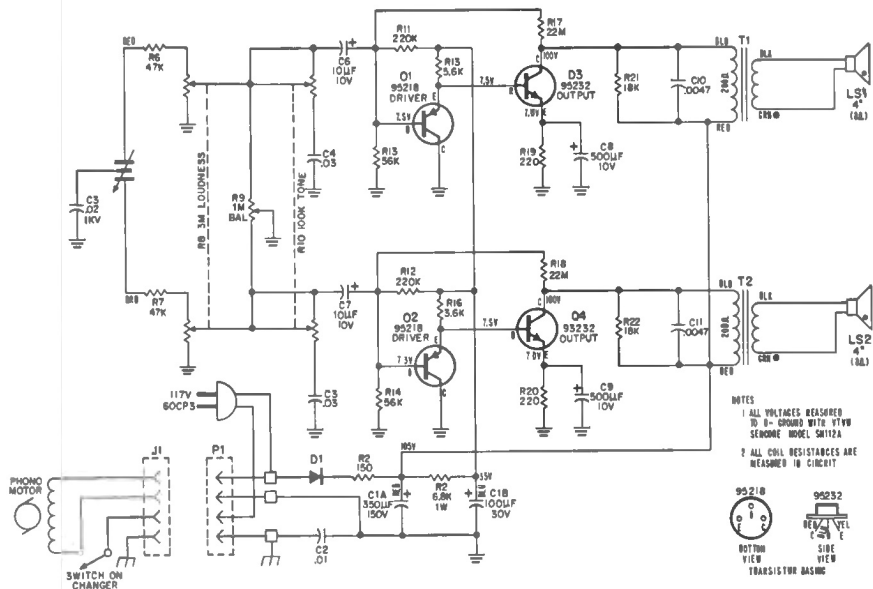


PHILCO Model P1445

PHILCO Model P1445



Model P1445 Bottom View Perma-Circuit Panel - Component Layout